



# SIDERMAG

Leading global manufacturer of probes  
for quick analysis of molten metal



Molten steel  
sampling



## Samplers SUPERSAMP

Free test at time convenient for you

LTD «Sidermag» Yekaterinburg, +7 (343) 300 93 26, e-mail: [info@sidermag.ru](mailto:info@sidermag.ru), [www.sidermag.ru](http://www.sidermag.ru)



# SIDERMAG

Leading global manufacturer of probes  
for quick analysis of molten metal

## SUPERSAMP

**Purpose:**

Sampling for chemical, spectral and other analysis of molten metal

**Scope of use:**

vacuum vessel, steel ladle, teeming ladles etc.

**Sampler types:**

immersion, absorbing, stream, vacuum

**Range of working temperature (depending on a sampler type):**

from 300°C to 2020°C

**Sampling time:**

from 3 to 5 sec

**Pipe length:**

from 100 to 1500mm (optional another length possible)

**Dross cover:**

Steel, carton, aluminum

**Splash protection:**

Sand, fire resistant fiber

**Deoxidizer:**

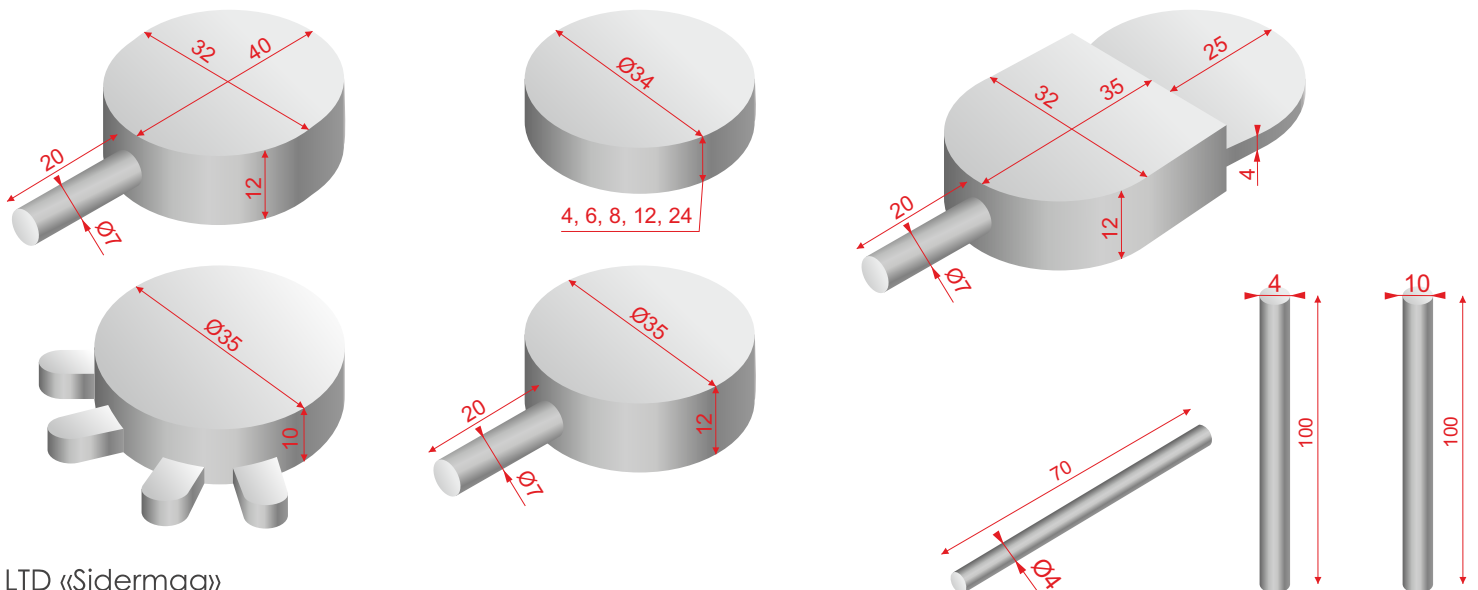
Without deoxidizer

Aluminum

Zirconium

Titanium

### Sample types



LTD «Sidermag»  
Yekaterinburg  
20A, Sovhoznaya str, office 14  
Tel.: +7 (343) 300 93 26  
E-mail: info@sidermag.ru  
www.sidermag.ru

ISO 9001:2015